



AMERICAN WOOD COUNCIL

**140 MPH
EXPOSURE B**

WFCM GUIDE

**Guide to Wood Frame Construction
in High Wind Areas
for One- and Two-Family Dwellings
2015 EDITION**

Updates and Errata

While every precaution has been taken to ensure the accuracy of this document, errors may have occurred during development. Updates or Errata are posted to the American Wood Council website at www.awc.org. Technical inquiries may be addressed to info@awc.org.

The American Wood Council (AWC) is the voice of North American traditional and engineered wood products. From a renewable resource that absorbs and sequesters carbon, the wood products industry makes products that are essential to everyday life. AWC's engineers, technologists, scientists, and building code experts develop state-of-the-art engineering data, technology, and standards on structural wood products for use by design professionals, building officials, and wood products manufacturers to assure the safe and efficient design and use of wood structural components.



AMERICAN WOOD COUNCIL

**140 MPH
EXPOSURE B**

WFCM GUIDE

**Guide to Wood Frame Construction
in High Wind Areas
for One- and Two-Family Dwellings**

2015 EDITION

Copyright © 2015
American Wood Council

**Guide to Wood Construction in High Wind Areas for One- and Two-Family Dwellings –
140 mph Exposure B Wind Zone, Based on the 2015 WFCM**

First Web Version: November 2015

ISBN 978-1-940383-29-3

Copyright © 2015 by American Wood Council

All rights reserved. No part of this publication may be reproduced, distributed, or transmitted in any form or by any means, including, without limitation, electronic, optical, or mechanical means (by way of example and not limitation, photocopying, or recording by or in an information storage retrieval system) without express written permission of the American Wood Council. For information on permission to copy material, please contact:

Copyright Permission
American Wood Council
222 Catocin Circle, SE, Suite 201
Leesburg, VA 20175
info@awc.org

Printed in the United States of America

Table of Contents

1	GENERAL PROVISIONS	2
1.1	SCOPE	2
	Design Concepts.....	2
1.2	APPLICABILITY	4
	Building Height	4
	Building Dimension.....	4
	Building Shape.....	4
1.3	FRAMING CONNECTIONS	5
2	FOUNDATION ANCHORAGE	7
2.1	GENERAL LOADS	7
2.2	ANCHOR BOLTS	7
2.3	ANCHORAGE AT OPENINGS	8
3	FLOORS	9
3.1	GENERAL	9
3.2	WOOD FLOOR JOIST SYSTEMS	9
3.3	WOOD I-JOIST FLOOR SYSTEMS	10
3.4	WOOD FLOOR TRUSS SYSTEMS	10
3.5	FLOOR SHEATHING	10
3.6	FLOOR BRACING	10
4	WALLS	11
4.1	GENERAL	11
4.2	EXTERIOR WALLS	11
4.3	EXTERIOR WALL SHEATHING	16
5	ROOFS	20
5.1	GENERAL	20
5.2	WOOD RAFTER SYSTEMS	20
5.3	WOOD I-JOIST ROOF SYSTEMS	23
5.4	WOOD ROOF TRUSS SYSTEMS	23
5.5	ROOF SHEATHING	23
5.6	ROOF BRACING ENDWALL	23
	GLOSSARY OF TERMS	24
	CHECKLIST	27

TABLES

Table 1. Maximum Building Lengths and Aspect Ratios	5
Table 2. General Nailing Schedule	6
Table 3. Foundation Anchorage Loads	7
Table 4. Anchor Bolt Spacings	7
Table 5. Exterior Wall - Maximum Wood Stud Lengths.....	12
Table 6. Top Plate Splices in Exterior Walls	13
Table 7. Wall Connections for Exterior Loadbearing Walls	13
Table 8. Wall Connections for Endwall Assemblies	14
Table 9. Uplift Forces for Two Foot Rake Overhang Framed With Structural Outlookers	15
Table 10. Window Sill Plates in Exterior Walls	16
Table 11. Headers in Loadbearing Exterior Walls.....	17
Table 12. Percentage of Full-Height Sheathing in Minimum Building Dimension (W)	18
Table 13. Percentage of Full-Height Sheathing in Maximum Building Dimension (L).....	19
Table 14. Truss, I-Joist, or Rafter Connections at Loadbearing Walls.....	21
Table 15. Ridge Strap Connections.....	22

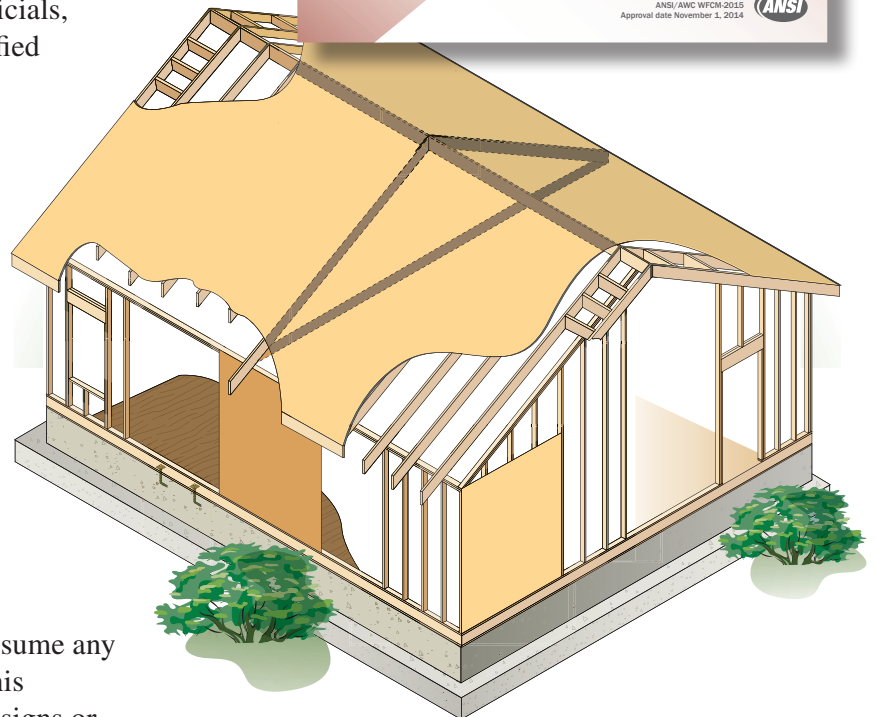
FIGURES

Figure 1. Master Building Diagram (For Illustrative Purposes Only)	3
Figure 2. Mean Roof Height (MRH) and Top Plate to Ridge Height (H_R).....	4
Figure 3. Inscribed Building Dimensions.....	4
Figure 4. Building Aspect Ratios	5
Figure 5. Anchor Bolts Resisting Uplift, Lateral, and Shear Loads.....	8
Figure 6. Floor Diaphragm Opening Limits.....	9
Figure 7. Setback Limits for Loadbearing Wall or Shear Wall and Limit on Loadbearing Wall Offset from Support	9
Figure 8. Cantilever with Loadbearing Wall or Shear Wall	10
Figure 9. Floor Bracing.....	10
Figure 10. Maximum Wall and Stud Lengths and Stud Spacing	11
Figure 11. Ceiling Bracing for Gable Endwall	12
Figure 12. Top Plate Intersection Detail.....	13
Figure 13. Top Plate Splice Length.....	13
Figure 14. Story-to-Story Uplift and Lateral Connections.....	14
Figure 15. Rake Overhang Framed Without Structural Outlookers	15
Figure 16. Rake Overhang Framed With Rake Truss.....	15
Figure 17. Rake Overhang Framed With Structural Outlookers	15
Figure 18. Framing Around Exterior Wall Openings	17
Figure 19a. Corner Stud Hold Down Detail – 3 Studs with Blocking.....	18
Figure 19b. Corner Stud Hold Down Detail – 4 Studs	19
Figure 20. Roof Systems	20
Figure 21. Ridge Strap Connection Detail.....	22

Introduction

The purpose of this *Guide to Wood Construction in High Wind Areas: 140 MPH Exposure B Wind Zone (Guide)* is to simplify the construction and design of wood frame buildings in areas where design wind velocity requirements do not exceed 140 miles per hour Exposure Category B. This Guide is in compliance with the building code-referenced *ANSI/AWC 2015 Wood Frame Construction Manual (WFCM) for One- and Two-Family Dwellings*. Accordingly, any designs in compliance with this Guide should also be in full compliance with the *WFCM*. The provisions of this Guide focus on ensuring structural integrity for resisting wind loads. This Guide does not specifically address other loading conditions such as those created by live, seismic (earthquake), snow, or flood loads. These additional loading conditions must be considered as required by the building code and are addressed in the *WFCM*.

The information in this Guide offers information to architects, builders, designers, code officials, instructors and others interested in simplified design. It is not the intent of this Guide to instruct on all aspects or techniques of proper framing or design. In developing the provisions of this Guide using provisions of the *WFCM*, the most reliable data available from laboratory tests and experience with structures in service have been carefully analyzed and evaluated for the purpose of providing a consistent standard of practice. It is intended that this document be used in conjunction with competent engineering design, accurate fabrication, and adequate supervision of construction. Therefore, AWC does not assume any responsibility for errors or omissions in this Guide, the *WFCM*, nor for engineering designs or plans prepared from it.



1 General Provisions

1.1 SCOPE

This Guide to Wood Construction in High Wind Areas: 140 MPH Exposure B Wind Zone (Guide) establishes a specific set of prescriptive, wind-resistive structural requirements for one- and two-family wood-frame residential buildings of sizes and shapes specified in the “Applicability” section (1.2) of this chapter. The provisions of this Guide are directed toward ensuring structural integrity for resisting wind loads. In addition, provisions of this Guide are derived from the wind provisions found in the ANSI/AWC 2015 *Wood Frame Construction Manual (WFCM) for One- and Two-Family Dwellings*.

Wind load requirements of this Guide are based on 140 mile per hour, 3-second-gust wind speeds for Exposure B locations.

Structural elements not complying with the conditions contained in this Guide shall be designed in accordance with the *WFCM* or the governing building code.

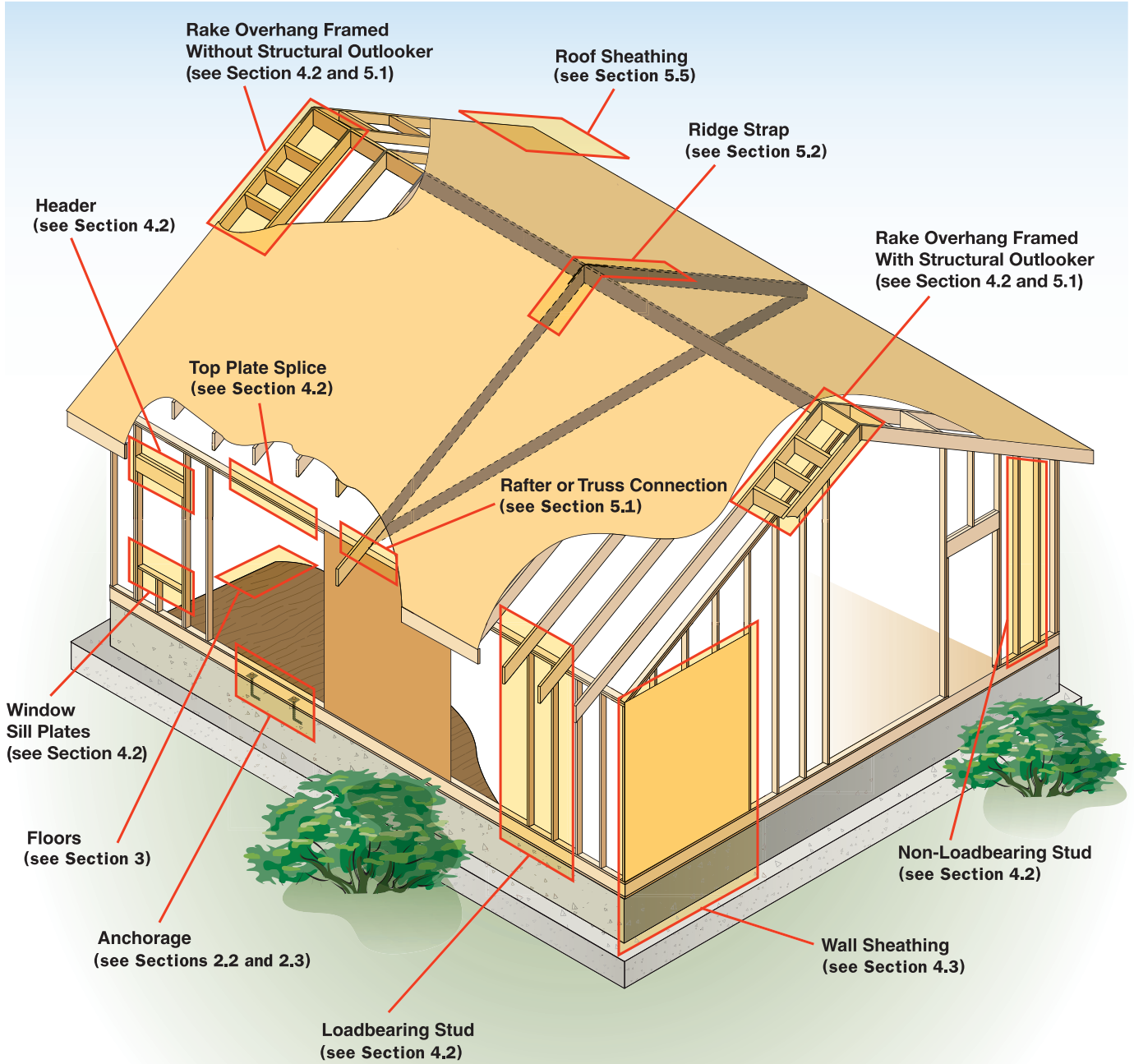
The provisions of this Guide are not intended to preclude the use of other materials or methods of construction. When alternative methods or materials are used, design loads and capacities shall be determined in accordance with the *WFCM* or the governing building code.

Tabulated values in this Guide shall be permitted to be interpolated unless otherwise noted in the applicable table footnotes.

Design Concepts

This Guide relies on the following concepts:

- Roofs, ceilings and floors are designed as diaphragms, which receive lateral loads from roof and exterior walls (assuming the wind blowing from any direction) and transfer these loads to shear walls.
- Exterior walls are designed to resist wind forces and transfer the lateral forces to diaphragms. Exterior walls, foundations, and connections shall be designed to resist lateral and uplift loads received from the roof by means of a continuous load path. Exterior walls are designed to resist wind loads assuming flexible finishes.
- Except for openings, exterior walls are designed as entirely sheathed with wood structural panels including areas above and/or below openings.
- Openings shall not exceed nominal 6'-8" in height.
 - Exception: Opening heights of up to 8' shall be permitted when 5% is added to the percent full-height sheathing requirements in Tables 12 and 13.
- The tabulated wind requirements in this document are based on fully enclosed buildings where openings are designed for the appropriate wind loads. Where required by the governing building code, protection of openings shall be provided to maintain a fully enclosed building envelope.
- The foundation provisions specified in this Guide are limited to the attachment of the building to the foundation. An adequate foundation system shall be provided to resist all required loads. Engineered and prescriptive design of the foundation for gravity, lateral, and uplift loads, including uplift and hold down anchorage, shall be provided in accordance with the governing building code.



NOTE

Continuous Load Path. The interconnection of all framing elements is critical to a wind-resistant building. A continuous load path of interconnected framing elements from footings and foundation walls to floors, walls, and roof framing shall be provided.

Figure 1. Master Building Diagram (For Illustrative Purposes Only)

1.2 APPLICABILITY

Building Height

The building shall not exceed two stories or a mean roof height of 33 feet, measured from average grade to average roof elevation (See Figure 2). The maximum top plate to ridge height (H_R) shall not exceed 10 feet.

Building Dimension

- The maximum building dimension (L) shall not be greater than 80 feet.
- The minimum building dimension (W) shall not be greater than 80 feet.
- The maximum span (horizontal projection) of the roof trusses or rafters covered under the scope of this Guide are limited to 36 feet; however, combinations of these systems can be used for a total inscribed dimension of 80 feet.

Building Shape

- **Rectangular Buildings.** Design provisions in this Guide assume that buildings are rectangular in shape. Walls shall be permitted to be offset by a maximum of 4 ft. (such as projecting bays, inset porches, or other irregular shapes) without requiring detailing.
- **Non-rectangular Buildings.** In this Guide, non-rectangular buildings are designed as a rectangular building with dimensions that inscribe the non-rectangular building for purposes of determining lateral resistance requirements (See Figure 3).
 - The longest inscribed building dimension shall be assumed to be the building length, L , and the shortest inscribed building dimension shall be assumed to be the building width, W .
 - The maximum building length and corresponding aspect ratios are shown in Table 1 and Figure 4.
 - The required length of full-height exterior sheathing in Section 4.3 is to be distributed in each shear wall line in proportion to the segment length divided by the overall building dimension. Hold downs shall be placed at each end of each shear wall line.
 - For conditions where non-rectangular buildings must be designed as separate structures joined at common walls, the *WFCM* should be used.

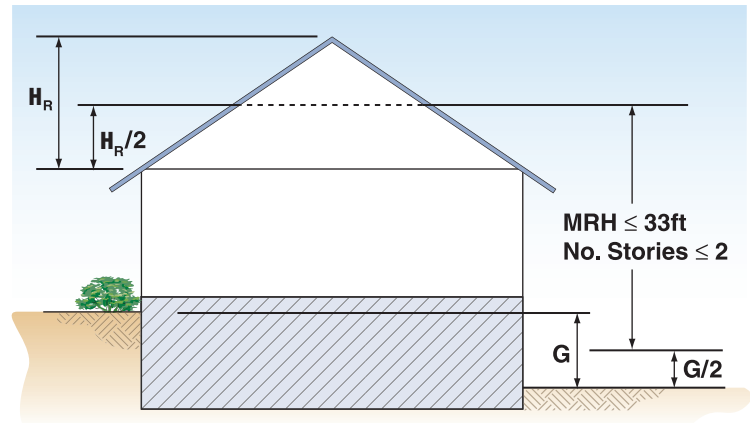


Figure 2. Mean Roof Height (MRH) and Top Plate to Ridge Height (H_R)

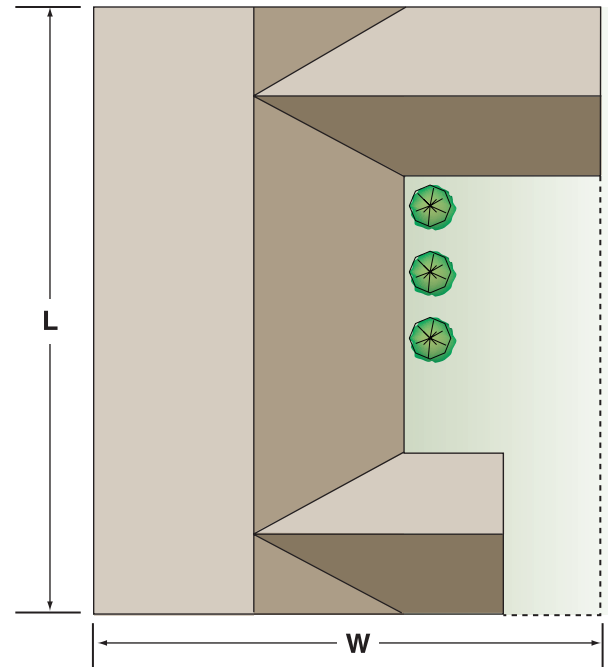


Figure 3. Inscribed Building Dimensions

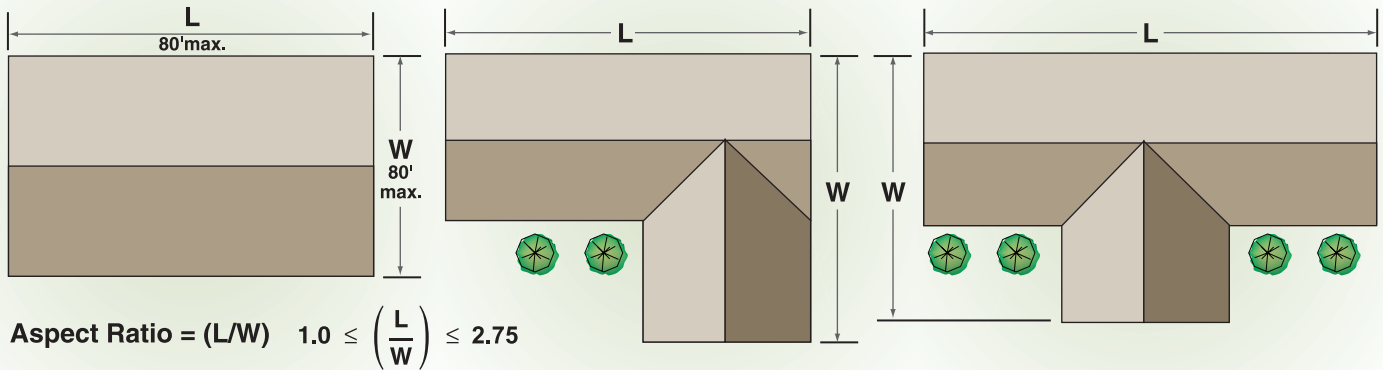


Figure 4. Building Aspect Ratios

Table 1. Maximum Building Lengths and Aspect Ratios

Building Width, W (ft.)	Building Aspect Ratio (L/W)							
	1.00	1.25	1.50	1.75	2.00	2.25	2.50	2.75
	Maximum Building Length, L (ft.) ¹							
12	12	15	18	21	24	27	30	33
16	16	20	24	28	32	36	40	44
20	20	25	30	35	40	45	50	55
24	24	30	36	42	48	54	60	66
28	28	35	42	49	56	63	70	77
32	32	40	48	56	64	72	80	—
36	36	45	54	63	72	80	—	—
40	40	50	60	70	80	—	—	—
50	50	62	75	80	—	—	—	—
60	60	75	80	—	—	—	—	—
70	70	80	—	—	—	—	—	—
80	80	—	—	—	—	—	—	—

¹ Building dimensions and aspect ratios may be further limited by shear wall lengths. See Table 12.

1.3 FRAMING CONNECTIONS

General framing connections shall be in accordance with the requirements of Table 2. Specific connections required for wind-resistant construction are provided with the assembly descriptions in other sections of this Guide. Where more restrictive connection requirements exist in the building code for other loading conditions, such as for gravity or seismic resistance, they shall apply.

Table 2. General Nailing Schedule

Joint Description	Number of Common Nails	Number of Box Nails	Nail Spacing
Roof Framing			
Blocking to Rafter (Toe-nailed)	2- 8d	2-10d	each end
Rim Board to Rafter (End-nailed)	2-16d	3-16d	each end
Wall Framing			
Top Plates at Intersections (Face-nailed)	4-16d	5-16d	at joints
Stud to Stud (Face-nailed)	2-16d	2-16d	24" o.c.
Header to Header (Face-nailed)	16d	16d	16" o.c. along edges
Floor Framing			
Joist to Sill, Top Plate or Girder (Toe-nailed) (Fig. 14)	4- 8d	4-10d	each end
Blocking to Joist (Toe-nailed)	2- 8d	2-10d	each end
Blocking to Sill or Top Plate (Toe-nailed)	3-16d	4-16d	each block
Ledger Strip to Beam or Girder (Face-nailed)	3-16d	4-16d	each joist
Joist on Ledger to Beam (Toe-nailed)	3- 8d	3-10d	each end
Band Joist to Joist (End-nailed) (Fig. 14)	3-16d	4-16d	each end
Band Joist to Sill or Top Plate (Toe-nailed) (Fig. 14)	2-16d	3-16d	per foot
Roof Sheathing			
Wood Structural Panels			
rafters or trusses spaced up to 16" o.c.	8d	10d	6" edge / 6" field
rafters or trusses spaced over 16" o.c.	8d	10d	4" edge / 4" field
gable endwall rake or rake truss w/o gable overhang	8d	10d	6" edge / 6" field
gable endwall rake or rake truss w/ structural outlookers	8d	10d	6" edge / 6" field
gable endwall rake or rake truss w/ lookout blocks	8d	10d	4" edge / 4" field
Ceiling Sheathing			
Gypsum Wallboard	5d coolers	-	7" edge / 10" field
Wall Sheathing			
Wood Structural Panels			
studs spaced up to 24" o.c.	8d	10d	6" edge / 12" field
1/2" and 25/32" Fiberboard Panels	8d ¹	-	3" edge / 6" field
1/2" Gypsum Wallboard	5d coolers	-	7" edge / 10" field
Floor Sheathing			
Wood Structural Panels			
1" or less	8d	10d	6" edge / 12" field
greater than 1"	10d	16d	6" edge / 6" field

¹ Corrosion resistant 11 gage roofing nails and 16 gage staples are permitted, check IBC for additional requirements.

Nails. Unless otherwise stated, sizes given for nails are common wire sizes. Box and pneumatic nails of equivalent diameter and equal or greater length to the specified common nails may be substituted unless otherwise prohibited.

2 Foundation Anchorage

2.1 GENERAL LOADS

The structure shall be anchored to the foundation system to resist the loads in Table 3 and to comply with the hold down requirements in Section 4.3. For pile and girder foundation systems or pier and beam foundation systems that support the floor joists on top of the girder or beam, the Stemwall Foundation loads in Table 3 shall be used. When the floor joists are hung on the sides of the girder or beam with proprietary joist hangers, the Slab-on-Grade loads in Table 3 shall be used. Ledgers are not permitted.

Table 3. Foundation Anchorage Loads

Raised-Floor Foundation Supporting:	Uplift ¹ (plf)	Lateral (plf)	Stemwall Foundations ²								Slab-on-Grade Foundations ³
			Building Aspect Ratio (L/W)								
			1.00	1.25	1.50	1.75	2.00	2.25	2.50	2.75	
			Shear (plf)								
Roof, Ceiling, and One Floor	192	129	218	273	327	382	436	491	545	600	730
Roof, Ceiling, and Two Floors	119	129	327	409	491	572	654	736	818	899	730

¹ For non-loadbearing walls, uplift connections need not exceed 60 plf.

² Shear connection requirements in the maximum building dimension (L) need not exceed the tabulated values for L/W=1.00.

³ Shear connection requirements are based on a required sheathing nail spacing of 3" o.c. in Tables 12 and 13. For reduced wood structural panel sheathing nailing requirements of 4" and 6" o.c. the shear loads can be reduced to the Bottom Plate-to-Frame Shear Connection provided in Tables 12 and 13.

2.2 ANCHOR BOLTS

Where 5/8" anchor bolts are used to resist uplift, lateral, and shear loads provided in Table 3, the anchor bolts shall be installed per Table 4 using 3" x 3" x 1/4" plate washers (See Figure 5).

Table 4. Anchor Bolt Spacings

Raised-Floor Foundation Supporting:	Stemwall Foundations with 2x6 Sill Plates ¹								Slab-on-Grade Foundations	
	Building Aspect Ratio (L/W)									
	1.00	1.25	1.50	1.75	2.00	2.25	2.50	2.75		
									5/8" Anchor Bolt Spacing (in.)	
Roof, Ceiling, and One Floor	42	42	42	42	42	37	34	31	24	
Roof, Ceiling, and Two Floors	54	45	37	32	28	25	22	20	24	

¹ The anchor bolt spacing in the maximum building dimension (L) need not be less than the tabulated spacing for L/W=1.00.

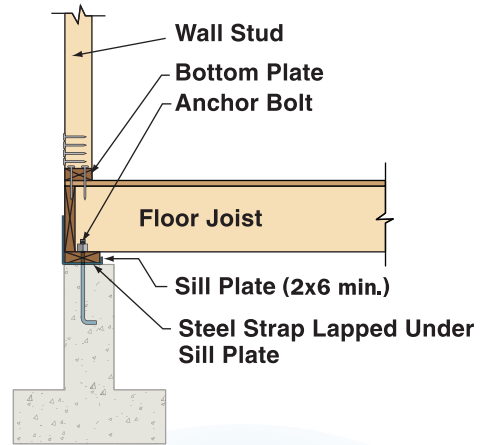
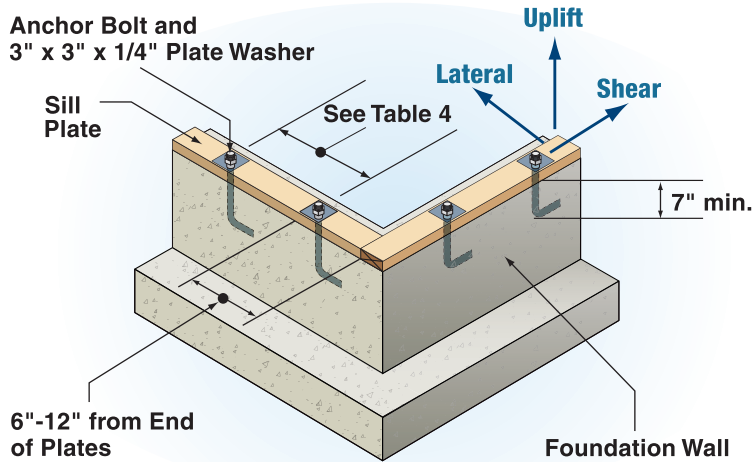
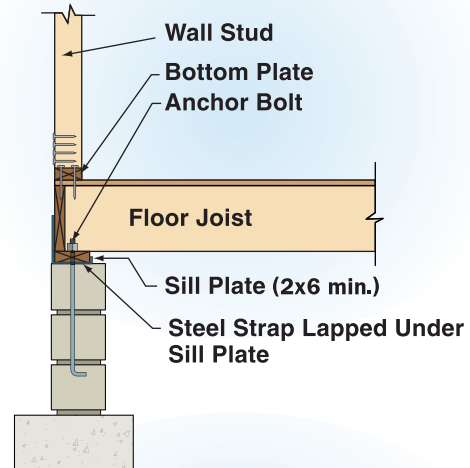
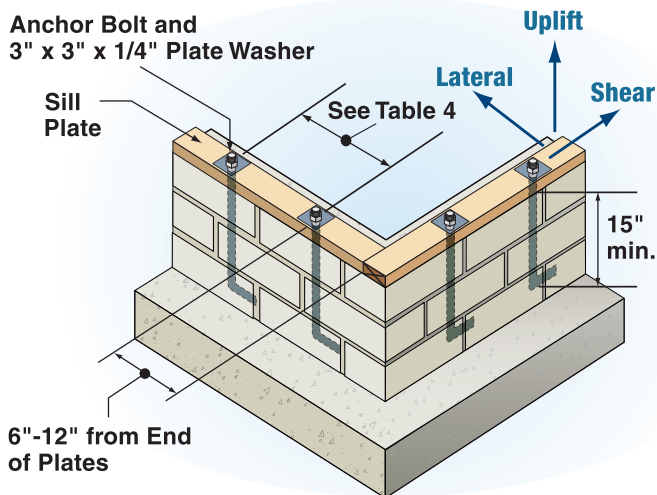
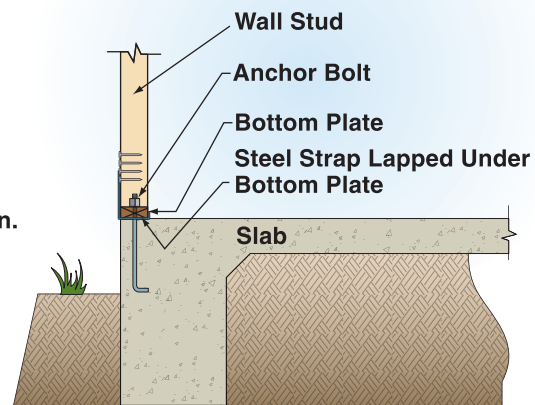
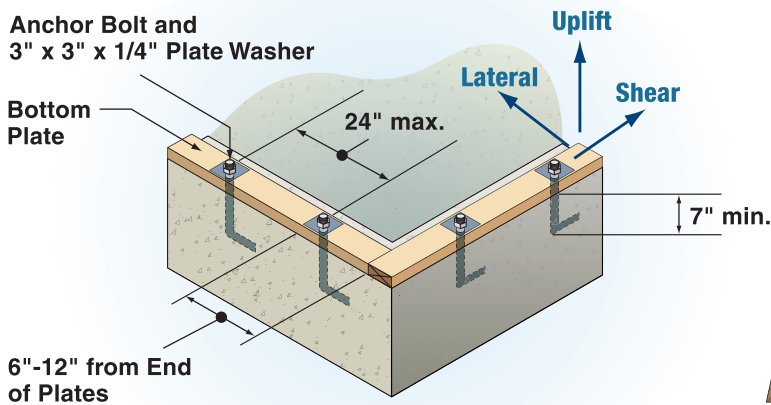
Concrete Basement or Stemwall Foundation

Concrete Masonry Unit Basement or Stemwall Foundation

Slab-On-Grade Foundation


Figure 5. Anchor Bolts Resisting Uplift, Lateral, and Shear Loads.

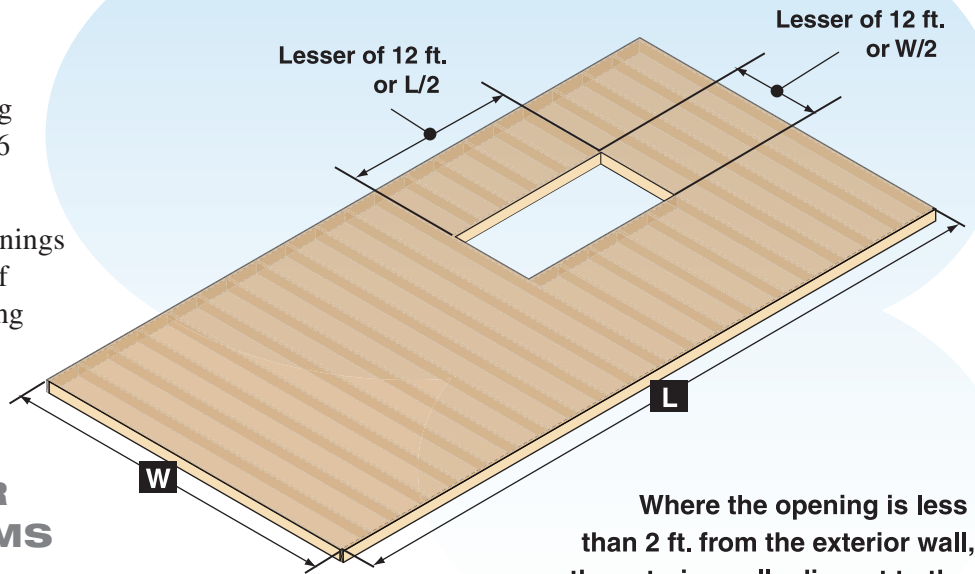
2.3 ANCHORAGE AT OPENINGS

Additional anchorage shall be installed on each side of any exterior wall opening that contains a header that resists wind loads (see Figure 18). The anchorage shall resist the loads in Table 11.

3 Floors

3.1 GENERAL

- **Framing Member Span.** Single spans of floor framing members shall not exceed 26 feet.
- **Floor Openings.** Floor openings shall not exceed the lesser of 12 feet or 50% of the building dimension (See Figure 6).



Where the opening is less than 2 ft. from the exterior wall, the exterior wall adjacent to the opening shall be framed using full height studs

3.2 WOOD FLOOR JOIST SYSTEMS

- **Floor Joists.** Floor joists shall be sized in accordance with the governing building code.
- **Floor Joists That Support Loadbearing Walls.** Loadbearing walls parallel to joists shall be directly supported by beams, girders, or other loadbearing walls. Loadbearing walls perpendicular to joists shall not be offset from supporting girders, beams, or other loadbearing walls by more than the depth of the joists (See Figure 7).
- **Cantilevered Floor Joists.** Lumber joists shall be located directly over studs except at beams and headers.

Figure 6. Floor Diaphragm Opening Limits

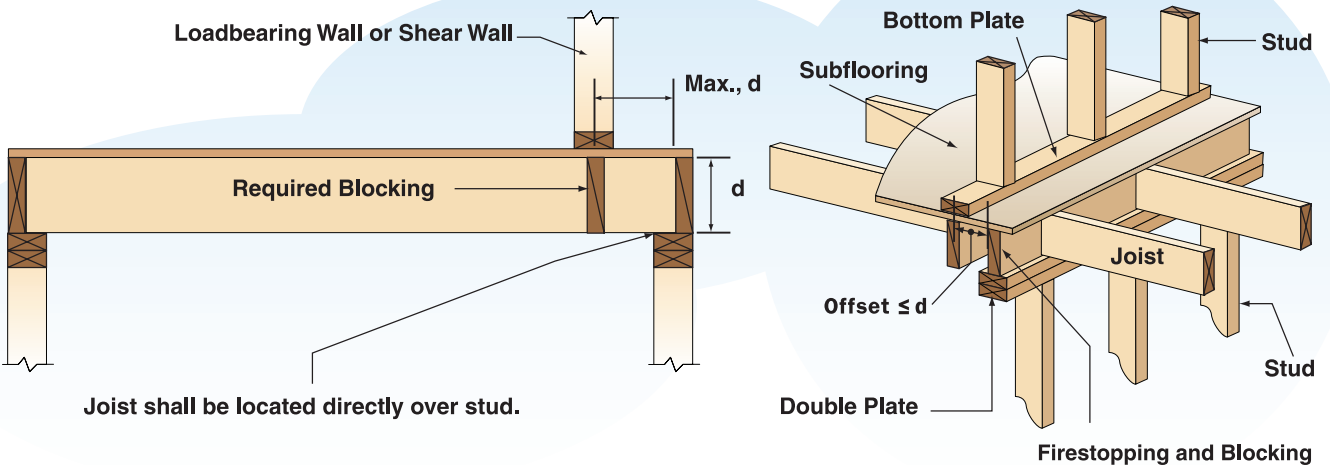


Figure 7. Setback Limits for Loadbearing Wall or Shear Wall and Limit on Loadbearing Wall Offset from Support

- **Cantilevered Floor Joists that Support Loadbearing or Shear Wall.** Overhang lengths of cantilevered floor joists supporting a loadbearing or shear wall at the end of the cantilever shall be limited to the depth, d , of the joists (See Figure 8).

3.3 WOOD I-JOIST FLOOR SYSTEMS

Wood I-joist floor systems shall comply with requirements set forth in the manufacturer's code evaluation report.

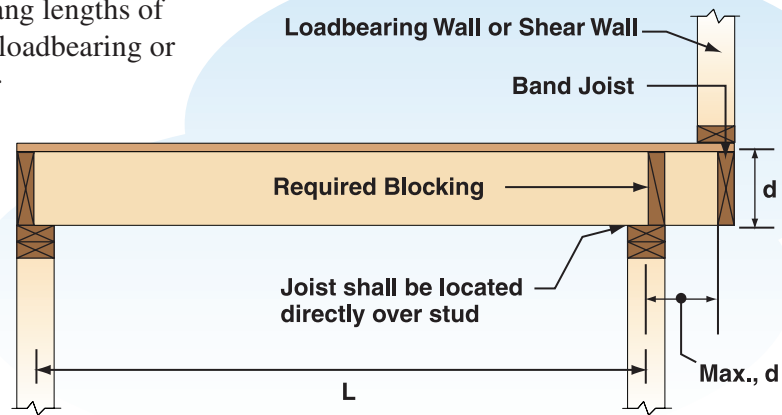


Figure 8. Cantilever with Loadbearing Wall or Shear Wall

3.4 WOOD FLOOR TRUSS SYSTEMS

Wood floor truss systems shall be manufactured and installed in accordance with *ANSI/TPI 1 National Design Standard for Metal Plate Connected Wood Truss Construction*, the truss design drawings, and/or the manufacturer's code evaluation report.

3.5 FLOOR SHEATHING

Floors shall be sheathed in accordance with the governing building code.

3.6 FLOOR BRACING

Blocking and connections shall be provided at panel edges perpendicular to floor framing members in the first two truss or joist spaces and shall be spaced at a maximum of 4 feet on center (See Figure 9). Nailing requirements are given in Table 2.

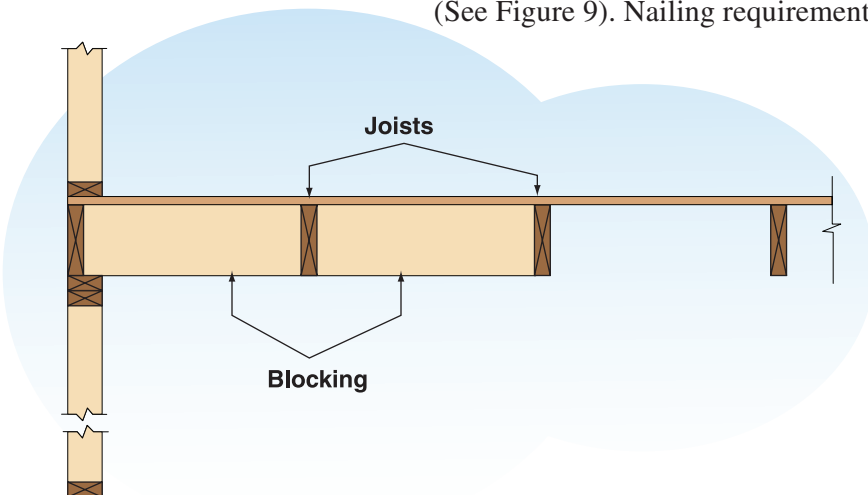


Figure 9. Floor Bracing

4 Walls

4.1 GENERAL

- **Wall Heights.** Loadbearing walls shall not exceed 10 feet in height. Non-loadbearing walls shall not exceed 20 feet in height (See Figure 10 and Table 5).
- **Wall Stud Spacing.** Wall stud spacing shall not exceed 24 inches on center (See Figure 10 and Table 5).
- **Wall Story Offsets.** Upper story wall segments shall not be offset from lower story wall segments by more than the depth, d , of the floor framing members (See Figures 7 and 8).

4.2 EXTERIOR WALLS

- **Wood Studs.** Where exterior walls are fully sheathed with wood structural panels and are covered with flexible finish materials, exterior wall studs of #2 or Stud grade lumber (including Douglas Fir-Larch, Hem Fir, Southern Pine, and Spruce-Pine-Fir) shall not exceed the maximum lengths specified in Table 5 (See Figure 10). Where exterior walls are not fully sheathed with wood structural panels or are covered with brittle materials, additional design options are provided in the WFCM.
- **Stud Continuity.** Studs shall be continuous between horizontal supports, including but not limited to: headers, girders, floor diaphragm assemblies, ceiling diaphragm assemblies, and roof diaphragm assemblies. Studs in gable endwalls adjacent to cathedral ceilings shall be continuous from the uppermost floor to the ceiling diaphragm or to the roof diaphragm.
- **Bracing Gable End Walls.** When attic floor or ceiling assemblies are used to brace gable endwalls, the assemblies shall extend from the endwall for a distance of at least $1/3$ of the building width when using wood structural panels and for a distance of at least 90% of the building width when using gypsum wallboard ceilings. Sheathing and fasteners shall be as specified in Table 2 and Figure 11.
- **Top Plates.** Double top plates shall be provided at the top of all exterior stud walls. The double plates shall overlap at corners and at intersections with other exterior or interior loadbearing walls (See Figure 12). Double top plates shall be lap-spliced with end joints offset in accordance with the minimum requirements given in Table 6 (See Figure 13).

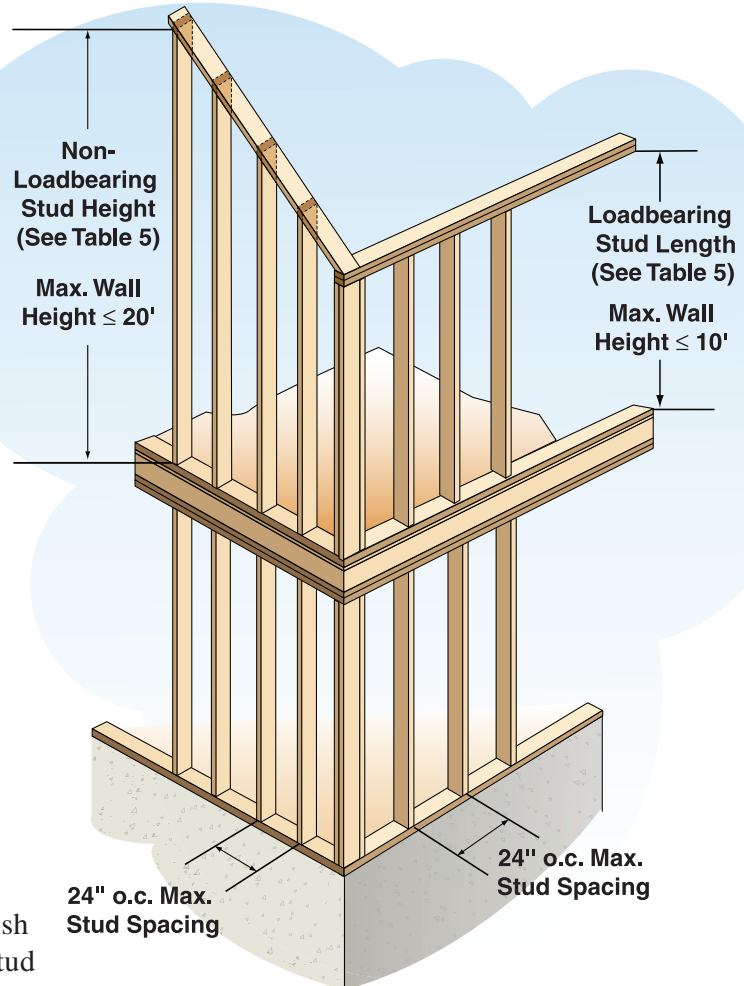


Figure 10. Maximum Wall and Stud Lengths and Stud Spacing

140 MPH EXPOSURE B WIND ZONE

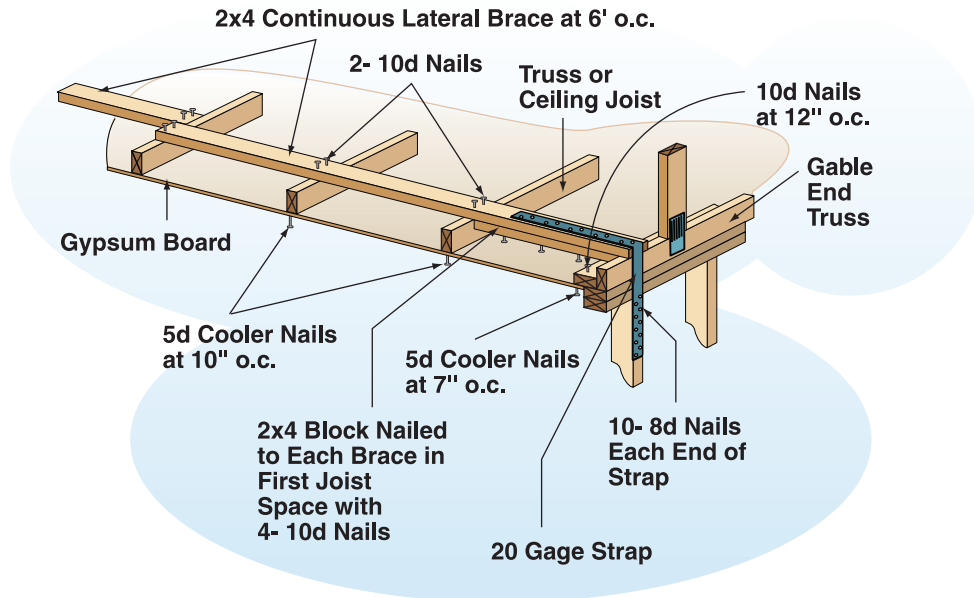


Figure 11. Ceiling Bracing for Gable Endwall

Table 5. Exterior Wall - Maximum Wood Stud Lengths

		2x4		2x6		2x8	
		Grade					
		#2	Stud	#2	Stud	#2	Stud
Exterior Studs	Stud ¹ Spacing	Maximum Stud Length					
Non-Loadbearing Studs	12" o.c.	12' - 9"	12' - 3"	19' - 9"	17' - 7"	20' - 0"	20' - 0"
	16" o.c.	11' - 7"	10' - 6"	17' - 11"	15' - 1"	20' - 0"	18' - 6"
	24" o.c.	10' - 0"	8' - 5"	15' - 6"	12' - 1"	20' - 0"	14' - 11"
Loadbearing Studs Supporting Roof and Ceiling Only	12" o.c.	9' - 9"	9' - 9"	9' - 9"		9' - 9"	
	16" o.c.	9' - 9"	9' - 9"				
	24" o.c.	9' - 9"	8' - 5"				
Loadbearing Studs Supporting Roof, Ceiling, and 1 Floor Only	12" o.c.	9' - 9"	9' - 9"	9' - 9"		9' - 9"	
	16" o.c.	9' - 9"	9' - 9"				
	24" o.c.	NP					

NP= Not Permitted

¹ Maximum stud lengths are for studs located in interior wind zones. For studs located within 4 feet of corners, space studs at 80% of the tabulated spacing or design studs per the WFCM.

Figure 12. Top Plate Intersection Detail

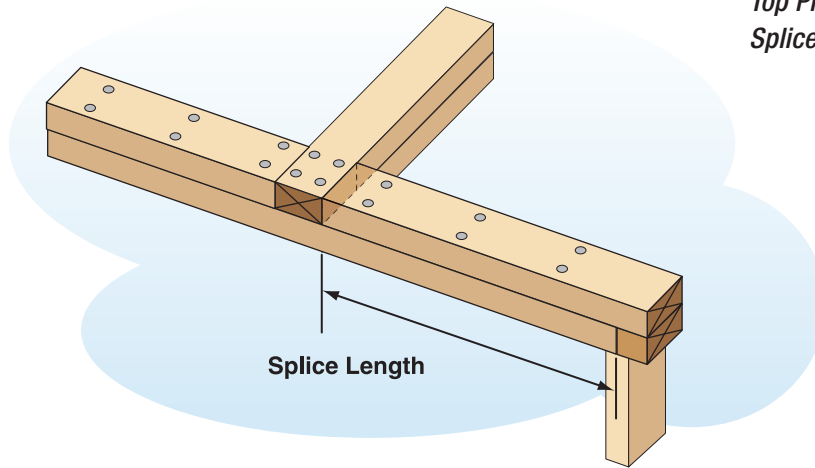


Figure 13. Top Plate Splice Length

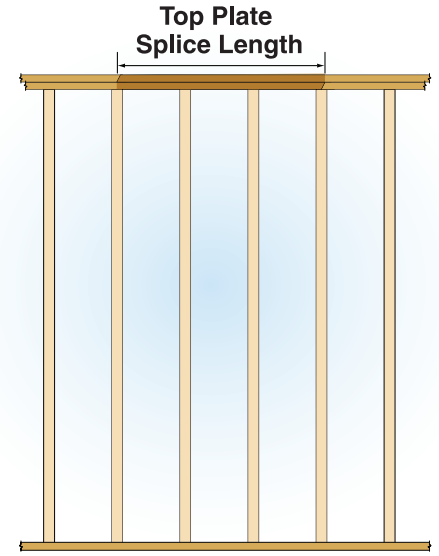


Table 6. Top Plate Splices in Exterior Walls

Building Dimension of Wall Containing Top Plate Splice (ft.)												
Splice Length (ft.)	12	16	20	24	28	32	36	40	50	60	70	80
	Number of 16d Common Nails per Each Side of Splice											
2	5	6	8	NP	NP	NP	NP	NP	NP	NP	NP	NP
4	5	6	8	10	11	13	14	16	NP	NP	NP	NP
6	5	6	8	10	11	13	14	16	20	24	NP	NP
8	5	6	8	10	11	13	14	16	20	24	28	32

NP= Not Permitted

- Wall Assembly to Wall Assembly Connections.** Story-to-story connections from upper story to lower story exterior wall studs shall be in accordance with the requirements of Table 7 (See Figure 14). When upper story wall studs are not located directly above lower story wall studs, the studs shall be attached to a common member in the floor assembly with connections in accordance with Table 7.

Table 7. Wall Connections for Exterior Loadbearing Walls

Stud Spacing	Roof Framing Span (ft.)							Lateral No. of 16d Common Nails (Endnailed)
	12	16	20	24	28	32	36	
	Uplift (lb.)							
12" o.c.	45	69	92	116	140	164	188	2
16" o.c.	60	92	123	155	187	219	251	2
24" o.c.	90	138	184	232	280	328	376	2

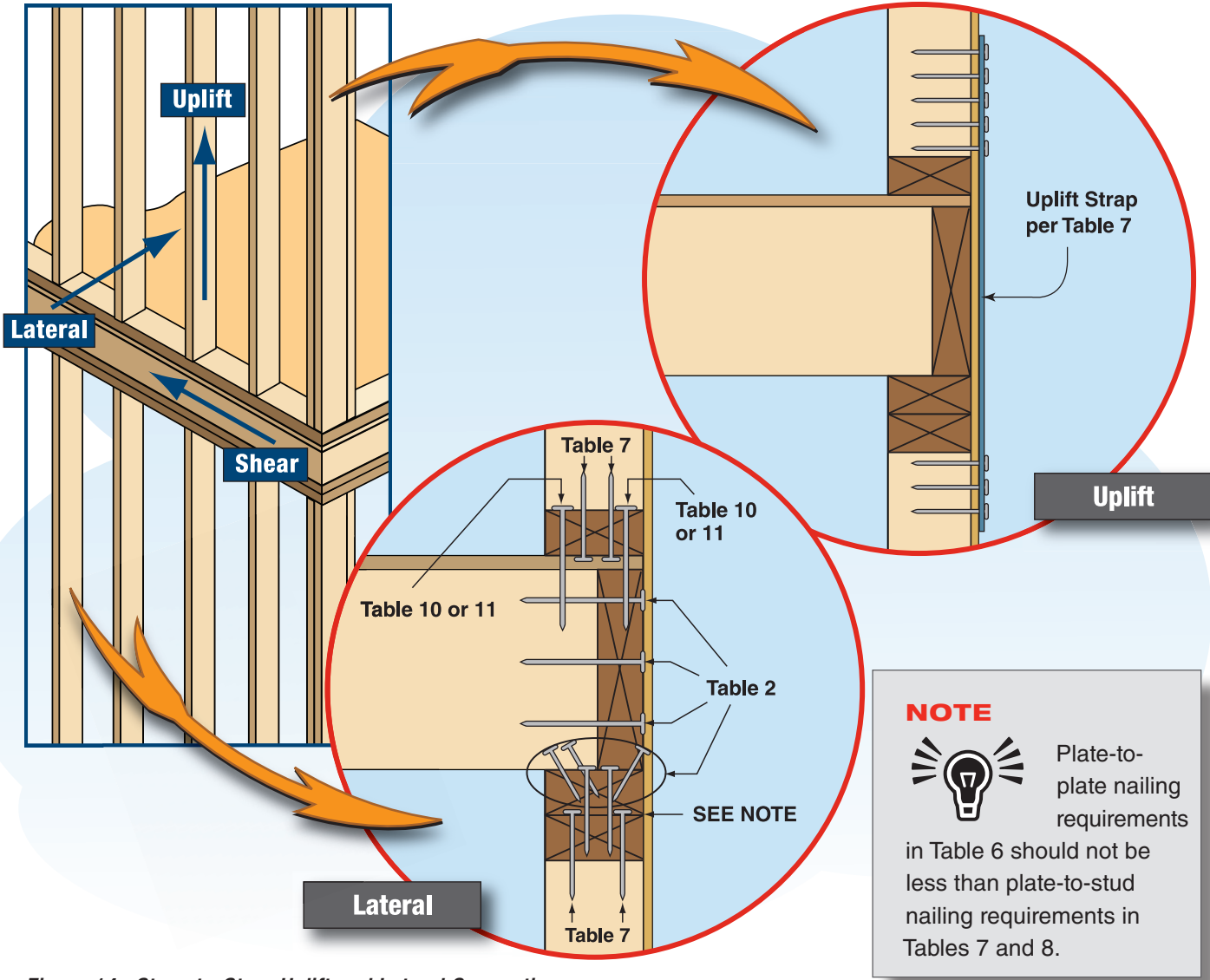


Figure 14. Story-to-Story Uplift and Lateral Connections

■ **Endwall Assemblies.** Rake overhang-to-wall, wall-to-wall, and wall-to-foundation connections shall be in accordance with the requirements given in Table 8 (See Figure 15). Walls which do not support the roof assembly and are attached in accordance with Table 2 need no additional uplift connections. Where gable end rake trusses are used (Figure 16), rake truss-to-stud connections shall resist the uplift and lateral loads provided by the truss designer. Where rake overhangs are framed with structural outlookers (Figure 17), provide rake overhang-to-wall, wall-to-wall and wall-to-foundation connections per the WFCM. Uplift forces for a 2 foot rake overhang framed with structural outlookers are provided in Table 9.

Table 8. Wall Connections for Endwall Assemblies

Stud Spacing	Uplift (lb)	Wall Height (ft.)						
		8	10	12	14	16	18	20
Plate-to-Stud - No. of 16d Common Nails – (Endnailed)								
12" o.c.	123	2	2	2	2	2	2	2
16" o.c.	164	2	2	2	2	2	2	2
24" o.c.	246	2	2	2	3	3	3	4

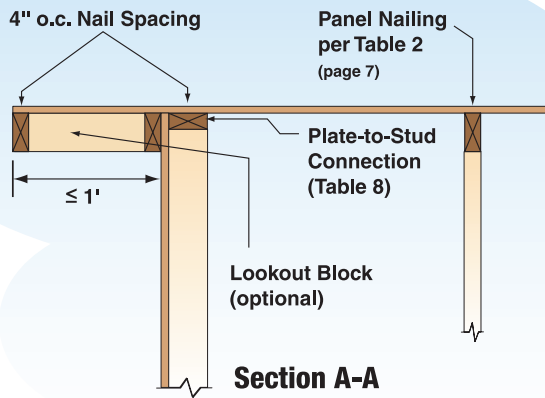
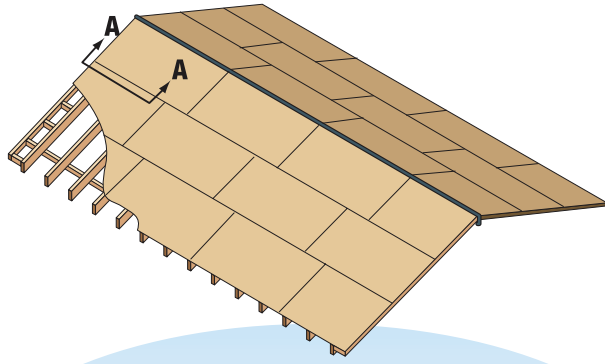


Figure 15. Rake Overhang Framed Without Structural Outlookers

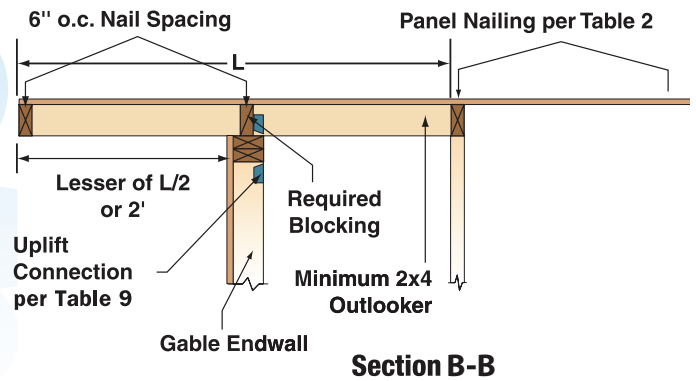
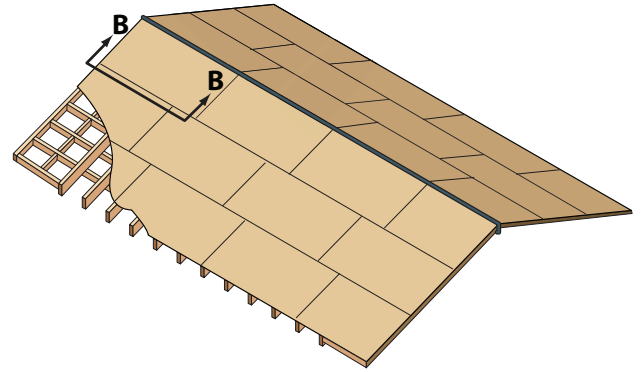


Figure 17. Rake Overhang Framed With Structural Outlookers

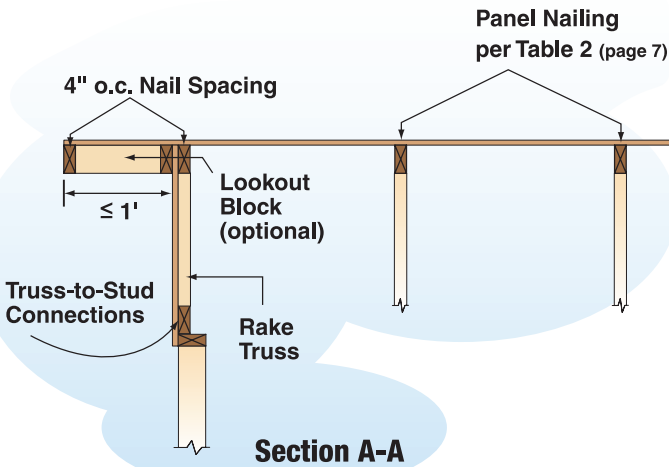


Figure 16. Rake Overhang Framed With Rake Truss

Table 9. Uplift Forces for Two Foot Rake Overhang Framed With Structural Outlookers

Outlooker Spacing	Outlooker Uplift (lb.)
12" o.c.	304
16" o.c.	405
24" o.c.	607

- **Openings in Exterior Walls.** Openings in exterior walls shall be framed with #2 (min) grade lumber including Douglas-Fir-Larch, Hem-Fir, Southern Pine, and Spruce-Pine-Fir. Headers, full height studs; and, when wall openings do not extend to the floor below, sill plates; shall be provided (see Figure 18).
- **Window Sill Plates Resisting Lateral Wind Loads.** Framing below openings in exterior walls that resist lateral wind loads only shall be per Table 10.
- **Headers Resisting Wind Loads.** Framing above openings in exterior walls that resist uplift and lateral loads shall be per Table 11. Framing above openings in exterior walls that do not resist uplift loads is considered a window sill plate and sized to be per Table 10.

- **Full Height Wall Studs.** Full height studs shall be provided at each end of an exterior wall opening. The minimum number of full height studs at each end of the exterior wall opening shall not be less than half the total number of studs replaced by the opening in accordance with Tables 10 and 11. Full height studs shall meet the same requirements as wall studs specified in Table 5. Full height studs are permitted to replace an equivalent number of jack studs, when adequate gravity connections are provided.
- **Connections around Openings in Exterior Walls.**
 - **Window Sill Plate to Stud Connections.** Window sill plate to stud connections shall be in accordance with the requirements given in Table 10.
 - **Window Header to Stud Connections.** Window header to stud connections shall be in accordance with the requirements given in Table 11.
 - **Full Height Stud to Top and Bottom Plate Connections.** Full height stud assemblies supporting window sill plates shall be connected to top and bottom plates to resist the lateral loads specified in Table 10. Full height stud assemblies supporting headers shall be connected to top and bottom plates to resist the uplift and lateral loads specified in Table 11.
- **Headers Resisting Gravity Loads.** Framing above openings in exterior walls that resist gravity loads shall be in accordance with the governing building code.

Table 10. Window Sill Plates in Exterior Walls

Sill Plate Span (ft.)	Minimum Sill Plate Size (flat)	Requirements at Each End of Sill Plate			
		Number of Full-Height Studs			Lateral (lb.)
		12" o.c.	16" o.c.	24" o.c.	
2	1 - 2x4	1	1	1	129
3	1 - 2x4	2	2	1	193
4	1 - 2x4	2	2	1	257
5	1 - 2x4	3	3	2	321
6	1 - 2x6, 2 - 2x4	3	3	2	386
7	1 - 2x6, 2 - 2x4	4	3	2	450
8	1 - 2x6, 2 - 2x4	4	3	2	514
9	2 - 2x6	5	3	3	578
10	2 - 2x6	5	4	3	643
11	2 - 2x6	6	4	3	707
12	2 - 2x6	6	5	3	771

4.3 EXTERIOR WALL SHEATHING

- **Exterior Wall Sheathing.** Exterior walls shall be sheathed with a minimum of 3/8" wood structural panel sheathing attached per Table 2 when studs are spaced 16" o.c. or less. Where studs are spaced greater than 16" o.c., 19/32" or greater wood structural panel sheathing shall be used, except 3/8" wood structural panel sheathing is permitted when applied with the strength axis perpendicular to framing. The minimum required percentage of full-height sheathing in the shear wall lines is provided in Tables 12 and 13. To meet the requirements for percentage full-height sheathing, full-height wall segment lengths shall not be less than 27-1/2" in an 8' wall, 31" in a 9' wall, or 34" in a 10' wall (aspect ratio $\leq 3-1/2:1$). Exterior sheathing shall

Table 11. Headers in Loadbearing Exterior Walls

Header Span (ft.)	Minimum Header Size ¹	Requirements at Each End of Header				
		Number of Full-Height Studs			Uplift (lb.)	Lateral (lb.)
		12" o.c.	16" o.c.	24" o.c.		
2	2 - 2x4, 1 - 2x6	1	1	1	264	129
3	2 - 2x4, 1 - 2x6	2	2	1	396	193
4	2 - 2x6, 1 - 2x10	2	2	1	529	257
5	2 - 2x8	3	3	2	660	321
6	3 - 2x8, 3 - 2x12	3	3	2	793	386
7	4 - 2x10, 3 - 2x12	4	3	2	924	450
8	3.125x8.25 ²	4	3	2	1,058	514
9	3.125x9.625 ²	5	3	3	1,188	578
10	3.125x11 ²	5	4	3	1,322	643
11	3.125x12.375 ²	6	4	3	1,452	707

1 Header is sized to resist a 20 psf live load and a 20 psf dead load for a 40 SF/LF tributary area (36 foot building width two-foot overhangs). Uplift and lateral loads are from wind pressures.

2 Tabulated spans assume 20 F combination glulam with a minimum $F_{bx} = 2,000$ psi, $F_{vx} = 210$ psi and $E = 1,500,000$ psi.

be continuous from the bottom plate to the upper top plate. All panel edges shall be located over framing.

- Hold Downs.** Hold downs with a capacity in accordance with Table 12 or 13 are required at each end of a shear wall line. When full height segments meet at a corner, a single hold down shall be permitted to be used to resist the overturning forces in both directions when sized to resist the larger load and the corner framing in the adjoining walls is fastened together to transfer the uplift load (See Figures 19a and 19b). A continuous load path must be maintained to the foundation. Where hold downs on a top floor align with hold downs on a lower floor, the combined capacity of the two hold downs must be resisted by anchorage to the foundation.

- Exterior Wall Cladding.** Exterior wall cladding shall be rated for a 140 mph Exposure B 3-second gust wind speed and be installed per the manufacturer's instructions.

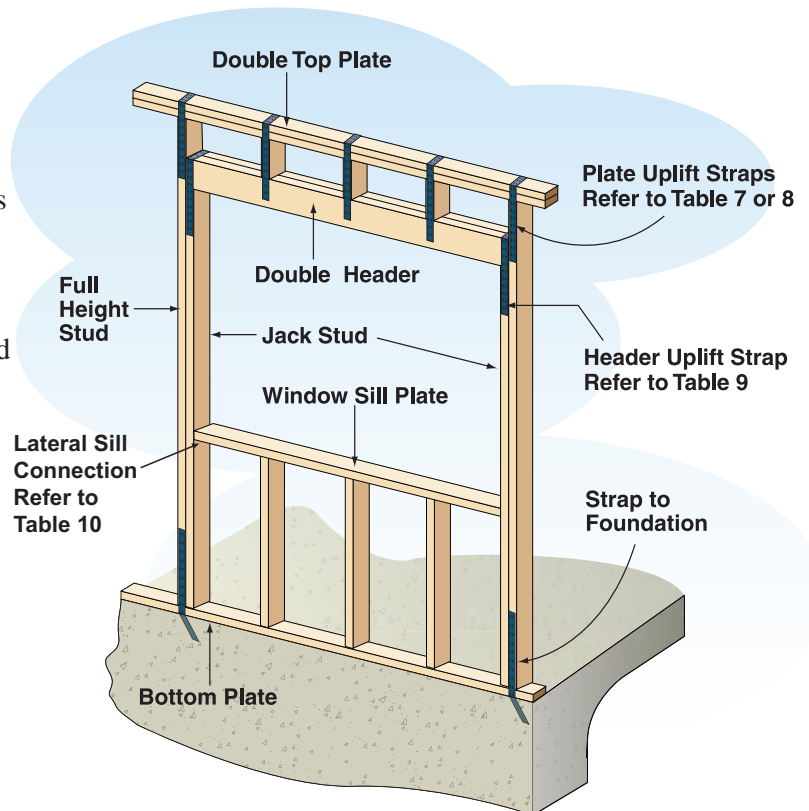
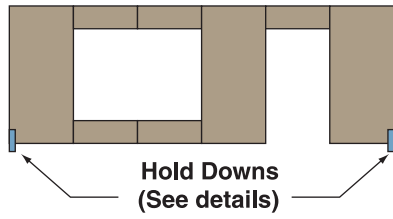


Figure 18. Framing Around Exterior Wall Openings

Table 12. Percentage of Full-Height Sheathing in Minimum Building Dimension (W)



Exterior Sheathing Type	Wood Structural Panel Sheathing		
	(exterior wall sheathing per 4.3)		
Nail Type	8d Common	8d Common	8d Common
Edge Nail Spacing	6" o.c.	4" o.c.	3" o.c.
Field Nail Spacing	12" o.c.	12" o.c.	12" o.c.
Bottom Plate-to-Frame Shear Connection (16d Common Nails)	436 plf (3 / ft.)	590 plf (3 / ft.)	730 plf (4 / ft.)
Hold Down Capacity	4,360 lb.	5,900 lb.	7,300 lb.

Shear Wall Line Beneath	Building Aspect Ratio (L/W)	Percent Full-Height Sheathing on Each Exterior Wall Line		
Roof and Ceiling 	1.00	41%	32%	26%
	1.25	49%	38%	32%
	1.50	56%	44%	37%
	1.75	63%	58%	42%
	2.00	69%	55%	47%
	2.25	74%	60%	51%
	2.50	79%	64%	55%
	2.75	84%	69%	59%
Roof, Ceiling, and One Floor 	1.00	67%	54%	45%
	1.25	77%	63%	54%
	1.50	86%	71%	61%
	1.75	94%	78%	68%
	2.00	100%	85%	74%
	2.25	NP	90%	80%
	2.50	NP	96%	85%
	2.75	NP	100%	89%

NP= Not Permitted

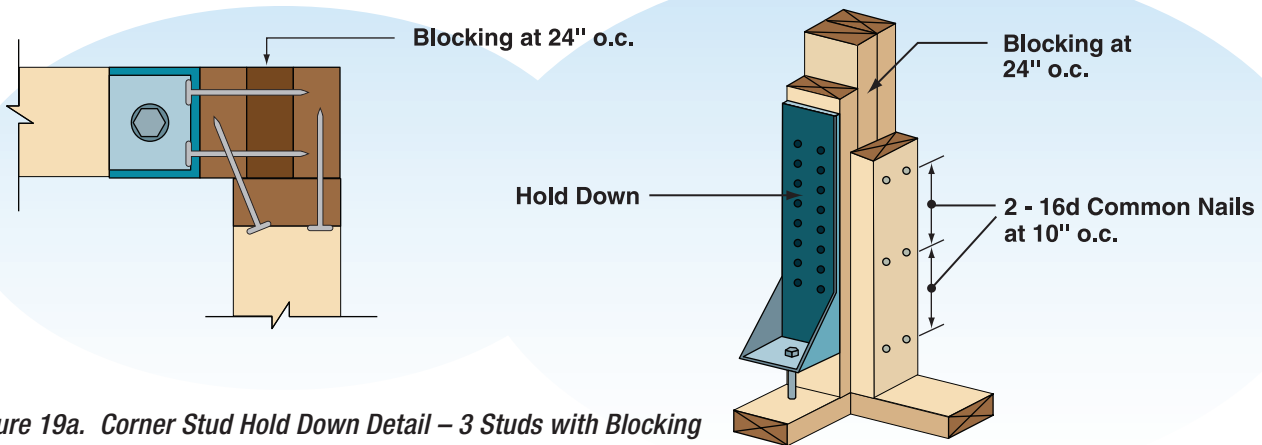
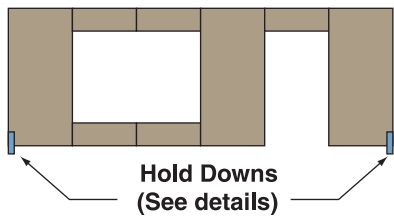


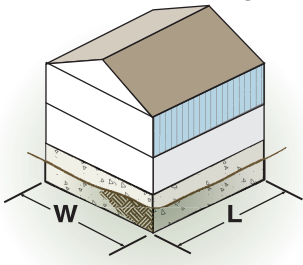
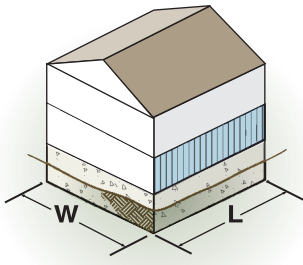
Figure 19a. Corner Stud Hold Down Detail – 3 Studs with Blocking

Table 13. Percentage of Full-Height Sheathing in Maximum Building Dimension (L)



Hold Downs (See details)

Exterior Sheathing Type	Wood Structural Panel Sheathing (exterior wall sheathing per 4.3)		
	8d Common	8d Common	8d Common
Nail Type	8d Common	8d Common	8d Common
Edge Nail Spacing	6" o.c.	4" o.c.	3" o.c.
Field Nail Spacing	12" o.c.	12" o.c.	12" o.c.
Bottom Plate-to-Floor Shear Connection (16d Common Nails)	436 plf (3 / ft.)	590 plf (3 / ft.)	730 plf (4 / ft.)
Hold Down Capacity	4,360 lb.	5,900 lb.	7,300 lb.

Shear Wall Line Beneath	Building Aspect Ratio (L/W)	Percent Full-Height Sheathing on Each Exterior Wall Line		
Roof and Ceiling 	1.00	41%	32%	26%
	1.25	35%	26%	22%
	1.50	30%	22%	18%
	1.75	26%	20%	16%
	2.00	23%	17%	14%
	2.25	21%	16%	13%
	2.50	19%	14%	11%
	2.75	17%	13%	10%
Roof, Ceiling, and One Floor 	1.00	67%	54%	45%
	1.25	58%	45%	38%
	1.50	50%	39%	33%
	1.75	45%	35%	29%
	2.00	40%	31%	29%
	2.25	37%	28%	23%
	2.50	34%	26%	21%
	2.75	31%	24%	19%

NP= Not Permitted

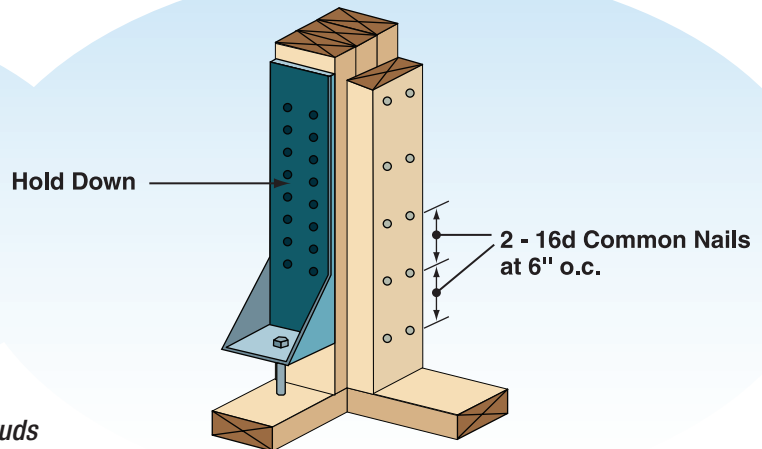
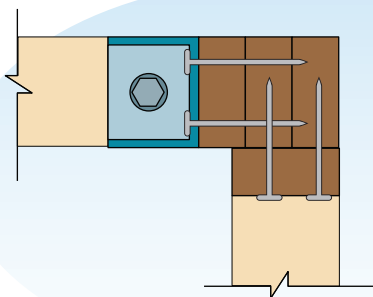


Figure 19b. Corner Stud Hold Down Detail – 4 Studs

5 Roofs

5.1 GENERAL

- **Framing Member Span.** Roof framing spans shall not exceed 36 feet (See Figure 20).
- **Roof Openings.** Roof openings shall not exceed the lesser of 12 feet or 50% of the building dimension (See Figure 6).
- **Roof Slope.** The roof slope shall not be greater than 12 in 12.
- **Location of Ceiling Joists/Rafter Ties.** Ceiling Joists and rafter ties shall be located within $H_R/7.5$ of the top plate or the rafter span shall be reduced per the WFCM.

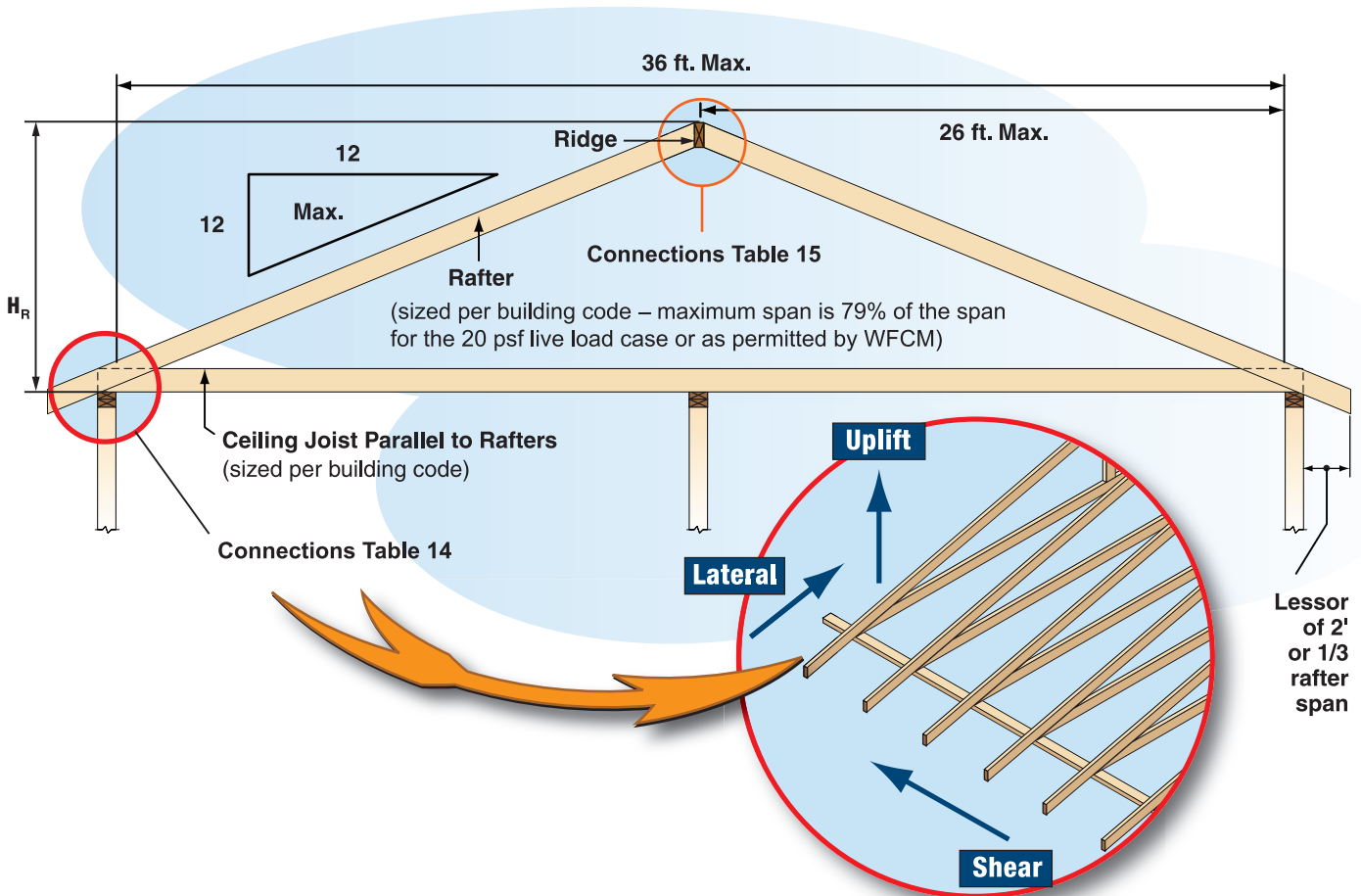


Figure 20. Roof Systems

5.2 WOOD RAFTER SYSTEMS

- **Rafters.** Rafters shall be sized in accordance with the governing building code. The maximum rafter span shall be limited to 79% of the span permitted for the 20 psf roof live load case, not to exceed 26 feet. Rafters shall be connected to exterior walls in accordance with Table 14.
- **Rafter Overhangs.** Rafter overhangs shall not exceed the lesser of one-third of the rafter span or 2 feet (See Figure 20).

■ **Rake Overhangs.**

- ❑ **Outlookers.** Where structural outlookers are used, the outlookers shall be constructed using 2x4 purlins connected in accordance with Table 9. Rake overhangs shall not be spaced more than 24" or exceed the lesser of one-half of the purlin length or 2 feet (See Figure 17).
- ❑ **Lookout Blocks.** Where non-structural lookout blocks are used, the rake overhang shall not exceed 1 foot (See Figures 15 and 16).

■ **Ridge Construction.**

- ❑ **Ridge Beam.** A ridge beam shall be installed at the roof peak. The ridge beam shall be in accordance with the governing building code. Rafters shall bear directly on the ridge beam or be supported by hangers or framing anchors. Each rafter shall be connected to the ridge beam or to an opposing rafter (See Figure 21) with a ridge strap in accordance with the requirements of Table 15. Ceiling joists or rafter ties are not required where a ridge beam is provided.
- ❑ **Ridge Board.** A ridge board shall be permitted to be substituted for a ridge beam when roof slopes equal or exceed 3 in 12. The ridge board shall be at least 1 inch nominal in thickness and not less than the depth of the cut end of the rafter. The rafters shall be placed directly opposite each other. Ceiling joists or rafter ties shall be used to provide a continuous tie between exterior walls. Ceiling joist or rafter tie to rafter connections shall be in accordance with the governing building code. Opposing rafters shall be connected at the ridge with ridge straps in accordance with the requirements in Table 15.
- ❑ **Collar Ties.** Ridge straps are not required when collar ties of nominal 1x6 or 2x4 lumber are located in the upper third of the attic space and attached to rafters using 5-10d nails at each end. For reduced requirements, see the *WFCM*.

■ **Ceiling Joists.** Ceiling joists shall be sized in accordance with the governing building code.

- ❑ **Open (Cathedral) Ceilings.** When ceiling joists and rafter ties are omitted and the rafters are used to create an open (cathedral) ceiling, rafter ends shall be supported on bearing walls, headers, and ridge beams. Rafters shall be attached to the wall assembly in accordance with Table 14 and attached to the ridge beam in accordance with Table 15.

Table 14. Truss, I-Joist, or Rafter Connections at Loadbearing Walls

Truss, I-Joist or Rafter Spacing	Roof Framing Span (ft.)							Lateral (lb.)	Shear (lb.)
	12	16	20	24	28	32	36		
	Uplift (lb.)								
12" o.c.	118	142	165	189	213	237	261	129	67
16" o.c.	158	189	221	252	284	316	348	171	89
19.2" o.c.	189	227	265	303	341	379	418	206	107
24" o.c.	237	284	331	379	426	474	522	257	134

Table 15. Ridge Strap Connections

Roof Span (ft.)	Roof Pitch				
	3:12	4:12	5:12	6:12	7:12-12:12
	Ridge Strap Connection Requirement (plf)				
12	169	139	109	99	94
16	226	186	146	133	125
20	282	232	182	166	156
24	339	279	219	199	187
28	395	325	255	232	218
32	452	372	292	265	250
36	508	418	328	298	281

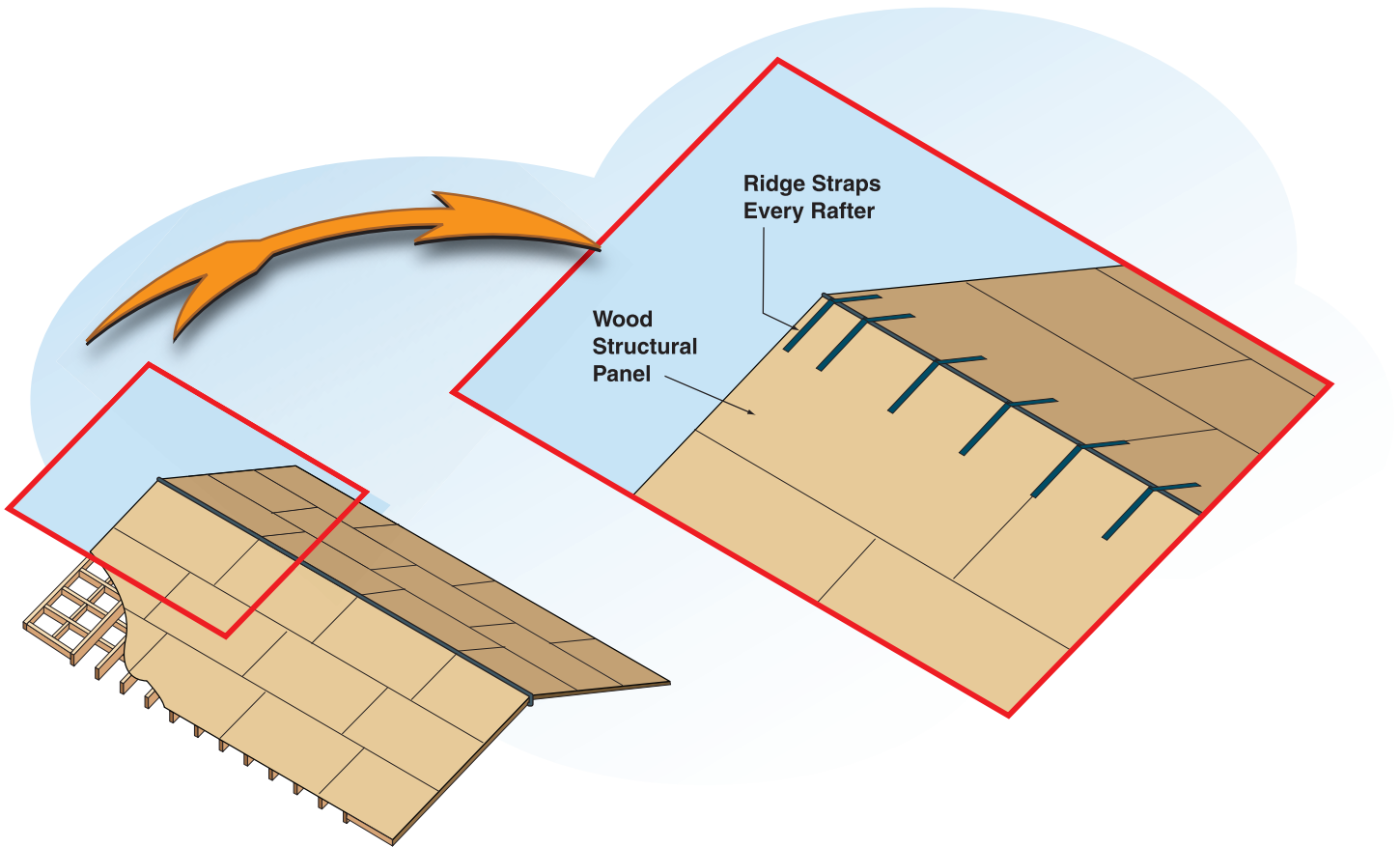


Figure 21. Ridge Strap Connection Detail

5.3 WOOD I-JOIST ROOF SYSTEMS

Wood I-joint roof systems shall comply with requirements set forth in the manufacturer's code evaluation report. I-joint roof framing members shall be connected to exterior walls in accordance with Table 14 and to the ridge beam in accordance with Table 15.

5.4 WOOD ROOF TRUSS SYSTEMS

Wood roof truss systems shall be designed, manufactured, and installed in accordance *ANSI/TPI 1 National Design Standard for Metal Plate Connected Wood Truss Construction*, the truss design drawings, and/or the manufacturer's code evaluation report. Roof trusses shall be connected to exterior walls in accordance with Table 14.

5.5 ROOF SHEATHING

Roofs shall be sheathed with a minimum of 7/16" wood structural panel sheathing and be attached in accordance with Table 2.

5.6 ROOF BRACING ENDWALL

Blocking and connections shall be provided at panel edges perpendicular to roof framing members in the first two truss or joist spaces. Blocking shall be spaced at a maximum of 4 feet on center. Nailing requirements are given in Table 2. See Figure 9.

- **EXCEPTION:** When an attic floor or ceiling diaphragm is used to brace the gable endwall or when a hip roof system is used, additional roof diaphragm blocking is not required.

Glossary of Terms

The following definitions describe some of the terminology used in this Guide.

Aspect Ratio. The ratio of building length dimension (L) to the building width dimension (W).

Blocking. Wood member which provides edge support for sheathing or provides load path continuity such as below offset walls, offset floors, and between cantilever members.

Bottom Plate. A horizontal wood member attached to the bottom of a frame wall and connected to floor joists, girders, or other members.

Cantilever. The unsupported portion of a beam which extends beyond a support.

Ceiling Joist. A horizontal structural framing member which supports ceiling and/or attic loads.

Cladding. Exterior structural elements that receive loads normal to their surface.

Continuous Load Path. The interconnection of all framing elements of the lateral and vertical force resisting systems, which transfers lateral and vertical forces to the foundation.

Endwall. The exterior wall of a building perpendicular to the roof ridge and parallel to roof rafters or trusses.

Floor Joist. A horizontal structural framing member which supports floor loads.

Foundation Wall. The vertical structural wall unit attached to the foundation which supports vertical and lateral loads.

Gable. The triangular portion of the endwall beneath a dual-slope, pitched, or mono-slope roof.

Header. A beam used over wall or roof openings to carry loads across the opening.

Hold Down. A connector device used to provide overturning restraint by resisting uplift of the chords of shear walls. (See Figures 19a and 19b)

I-Joist. A structural member manufactured using sawn or structural composite lumber flanges and structural panel webs, bonded together with exterior exposure adhesives, forming an I' cross-sectional shape.

Jack Rafter. A rafter that spans from a hip or valley rafter or beam to a wall plate or ridge, respectively.

Jack Studs. A vertical structural element which does not span the full height of the wall and supports vertical loads.

Mean Roof Height. The distance from average grade to the average roof elevation (See Figure 2).

Mono-slope Roof. A roof with constant slope in one direction.

Perforated Shear Wall. A shear wall composed of shear wall segments with overturning restraint provided at each end of the shear wall, but which does not require special connections for force transfer around wall openings (See Tables 10-11).

Pitched Roof. A roof with one or more sloping surfaces.

Rafter. A horizontal or sloped structural framing member that supports roof loads (See Figure 20).

Rafter Overhang (Eave). The horizontal projection of a rafter measured from the outside face of the wall to the outside edge of the rafter.

Rafter Tie. A structural framing member located in the lower third of the attic space that ties rafters together to resist thrust from gravity loads on the roof.

Rake Overhang. The horizontal projection of the roof measured from the outside face of the gable endwall to the outside edge of the roof (See Figure 16).

Ridge. The horizontal line formed by the joining of the top edges of two sloping roof surfaces.

Ridge Beam. A structural member used at the ridge of a roof to support the ends of roof rafters and transfer roof loads to supports.

Ridge Board. A non-structural member used at the ridge of a roof to provide a common nailing surface and point of bearing for opposing roof rafters.

Ridge Strap. A metal connector that fastens opposing rafters together to resist roof suction loads at the ridge.

Roof Span. The distance between the outside of exterior walls supporting the roof/ceiling or truss assembly.

Setback. The offset distance of a wall on a floor system, measured from the support towards mid-span of the floor system.

Shear Wall. A vertical structural unit composed of one or more shear wall segments in one plane.

Shear Wall Line. Shear walls which are not offset by more than 4 feet horizontally from any other shear wall may be considered in the same shear wall line.

Shear Wall Plan Offset. The distance from a shear wall to the nearest parallel shear wall.

Sheathing. The structural covering used directly over framing members, such as studs, joists, or rafters, which transfers perpendicular loads to the framing material.

Sill Plate. A horizontal wood member anchored to the foundation and supporting floor joists.

Slab-On-Grade. The concrete slab that serves as the floor for the first story, upon which the first story framed walls are attached.

Span. The distance between face of supports, plus $\frac{1}{2}$ the required bearing length at each end.

Story. The portion of a structure included between the upper surface of a floor and the upper surface of the floor or roof next above.

Stud. Vertical structural element of wall assemblies which transfers vertical and/or lateral loads.

Top Plate(s). A horizontal wood member(s) attached to the top of a frame wall and supporting trusses, I-joists, rafters, floor joists, ceiling joists, or other members.

Truss. An engineered structural component, assembled from wood members, metal connector plates, or other mechanical fasteners, designed to carry its own weight and superimposed design loads. The truss members form a semi-rigid structural framework and are assembled such that the members form triangles. Variations include metal web trusses, metal tube trusses, and plywood gusset trusses.

Vertical Floor Offset. The distance between two adjoining floor assemblies which do not lie in the same horizontal plane.

Wind Exposure

Exposure B. Urban and suburban areas, wooded areas, or other terrain with numerous closely spaced obstructions having the size of single family dwellings or larger. Exposure B shall be assumed unless the site meets the definition of another type exposure.

Exposure C. Open terrain with scattered obstructions including surface undulations or other irregularities having heights generally less than 30 feet extending more than 1500 feet from the building site in any full quadrant. Exposure C extends into adjacent Exposure B type terrain in the downwind direction for a distance of 1500 feet or 10 times the height of the building or structure, whichever is greater. This category includes open country and grasslands, and open water exposure of less than 1 mile.

Exposure D. Flat unobstructed areas exposed to wind flowing over open water for a distance of at least 1 mile. This exposure shall apply only to those buildings and other structures exposed to the wind coming from over the water. Exposure D extends inland from the shoreline a distance of 1500 feet or 10 times the height of the building or structure, whichever is greater.

Window Sill Plate. A horizontal framing member below an opening.

Checklist

1.1 SCOPE

Wind Speed (3-second gust) 140 mph _____
 Wind Exposure Category B _____

1.2 APPLICABILITY

Number of Stories (Figure 2) _____ stories ≤ 2 stories _____
 Roof Pitch (Figure 20) _____ ≤ 12:12 _____
 Mean Roof Height (Figure 2) _____ ft. ≤ 33' _____
 Building Width, W (Figure 4) _____ ft. ≤ 80' _____
 Building Length, L (Figure 4) _____ ft. ≤ 80' _____
 Building Aspect Ratio (L/W) (Figure 4) _____ ≤ 2.75:1 _____

1.3 FRAMING CONNECTIONS

General compliance with framing connections? (Table 2) _____

2.1 ANCHORAGE TO FOUNDATION

Type of Foundation (Figure 5) _____
 Foundation Anchorage
 Proprietary Connectors
 Uplift (Table 3) U = _____ plf _____
 Lateral (Table 3) L = _____ plf _____
 Shear (Table 3) S = _____ plf _____
 5/8" Anchor Bolts
 Bolt Spacing (Table 4) _____ in. _____
 Bolt Embedment (Figure 5) _____ in. _____
 Washer Size (Figure 5) _____ in. x _____ in. x _____ in. thick _____

3.1 FLOORS

Floor framing member spans checked? (IRC or WFCM) _____
 Maximum Floor Opening Dimension (Figure 6) _____ ft. ≤ 12' _____
 Maximum Floor Joist Setbacks
 Supporting Loadbearing Walls or Shearwall (Figure 7) _____ ft. ≤ d _____
 Maximum Cantilevered Floor Joists
 Supporting Loadbearing Walls or Shearwall (Figure 8) _____ ft. ≤ d _____
 Floor Bracing at Endwalls (Figure 9) _____
 Floor Sheathing Type (IRC or WFCM) _____
 Floor Sheathing Thickness (IRC or WFCM) _____ in. _____
 Floor Sheathing Fastening (Table 2) _____

4.1 WALLS

Wall Height
 Loadbearing Walls (Figure 10) _____ ft. ≤ 10' _____
 Non-Loadbearing Walls (Figure 10) _____ ft. ≤ 20' _____
 Wall Stud Spacing (Figure 10) _____ in. ≤ 24" o.c. _____
 Wall Story Offsets (Figures 7-8) _____ in. ≤ d _____

4.2 EXTERIOR WALLS

Wood Studs
 Loadbearing Walls (Table 5) 2x _____ - _____ ft. _____ in. _____
 Non-Loadbearing Walls (Table 5) 2x _____ - _____ ft. _____ in. _____

140 MPH EXPOSURE B WIND ZONE

Bracing Gable End Walls
 WSP Attic Floor Length (Figure 11)..... ___ ft. \geq W/3 _____
 Gypsum Ceiling Length..... (Figure 11)..... ___ ft. \geq 0.9W _____

Double Top Plate
 Splice Length (Figure 13) ___ ft. _____
 Splice Connection (no. of 16d common nails) (Table 6)..... _____

Loadbearing Wall Connections
 Uplift. (proprietary connectors) (Table 7)..... U = ___ lb. _____
 Lateral (no. of 16d common nails) (Table 7)..... _____

Non-Loadbearing Wall Connections
 Uplift. (proprietary connectors) (Table 8)..... U = ___ lb. _____
 Lateral (no. of 16d common nails) (Table 8)..... _____

Wall Openings
 Header Spans (Table 11) ___ ft. ___ in. \leq 11' _____
 Sill Plate Spans (Table 10) ___ ft. ___ in. \leq 12' _____
 Full Height Studs (no. of studs) (Tables 10 and 11)..... _____
 Connections at each end of header or sill
 Uplift. (proprietary connectors)..... (Table 11) ___ lb. _____
 Lateral (proprietary connectors)..... (Tables 10 and 11)..... ___ lb. _____

Wall Sheathing
 Minimum Building Dimension, W
 Sheathing Type (Table 12)..... _____
 Edge Nail Spacing (Table 12)..... ___ in. _____
 Field Nail Spacing..... (Table 12)..... ___ in. _____
 Shear Connection (no. of 16d common nails) (Table 12)..... _____
 Hold Down Capacity (Table 12)..... ___ lb. _____
 Percent Full-Height Sheathing (Table 12)..... ___% _____

Maximum Building Dimension, L
 Sheathing Type (Table 13)..... _____
 Edge Nail Spacing (Table 13)..... ___ in. _____
 Field Nail Spacing..... (Table 13)..... ___ in. _____
 Shear Connection (no. of 16d common nails) (Table 13)..... _____
 Hold Down Capacity (Table 13)..... ___ lb. _____
 Percent Full-Height Sheathing (Table 13)..... ___% _____

Wall Cladding
 Rated for Wind Speed? _____

5.1 ROOFS

Roof framing member spans checked? (IRC or WFCM)..... _____
 Roof Overhang (Figure 20) ___ ft. \leq 2' or L/3 _____

Truss, I-Joist, or Rafter Connections
 Proprietary Connectors
 Uplift..... (Table 12)..... U = ___ lb. _____
 Lateral..... (Table 12)..... L = ___ lb. _____
 Shear..... (Table 12)..... S = ___ lb. _____

Ridge Strap Connections – Tension (Table 13)..... T = ___ plf _____
 Gable Rafter Outlooker..... (Figure 20) ___ ft. ft. \leq 2' or L/2 _____

Outlooker Connections
 Proprietary Connectors
 Uplift..... (Table 14)..... U = ___ lb. _____

Roof Sheathing Type (IRC or WFCM)..... _____
 Roof Sheathing Thickness..... ___ in. \geq 3/8" wsp _____
 Roof Sheathing Fastening (Table 2)..... _____

American Wood Council

AWC Mission Statement

To increase the use of wood by assuring the broad regulatory acceptance of wood products, developing design tools and guidelines for wood construction, and influencing the development of public policies affecting the use and manufacture of wood products.

American Wood Council
222 Catoctin Circle, SE, Suite 201
Leesburg, VA 20175
www.awc.org
info@awc.org

