



AMERICAN FOREST & PAPER ASSOCIATION

American Wood Council
Engineered and Traditional Wood Products

October 2009

**2009 ERRATA
to the**

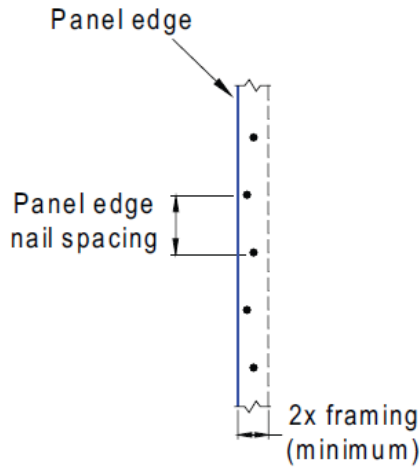
2008 Edition of

the SPECIAL DESIGN PROVISIONS FOR WIND AND SEISMIC, ANSI/AF&PA SDPWS-2008
(printed version dated 09-09 1M)

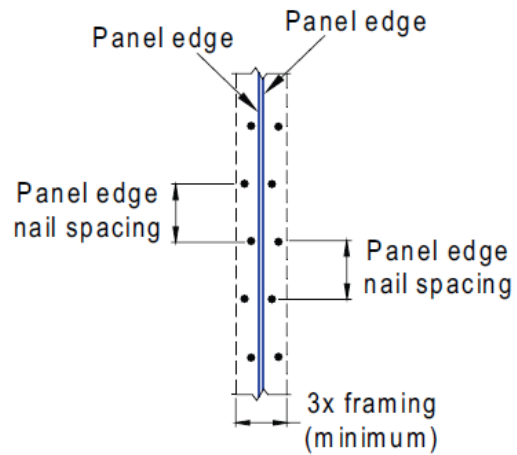
Page(s)
63

Revision

Replace Figure C4.2.7.1.1(3) with the following (printed version graphic lines too faint):



**Staggered row of fasteners
at panel edge**



**Adjoining Panel Edge
(staggered row of fasteners
at each panel edge)**

71

Replace Figure C4.3.6.4.3 with the following (printed version graphic lines too faint):

