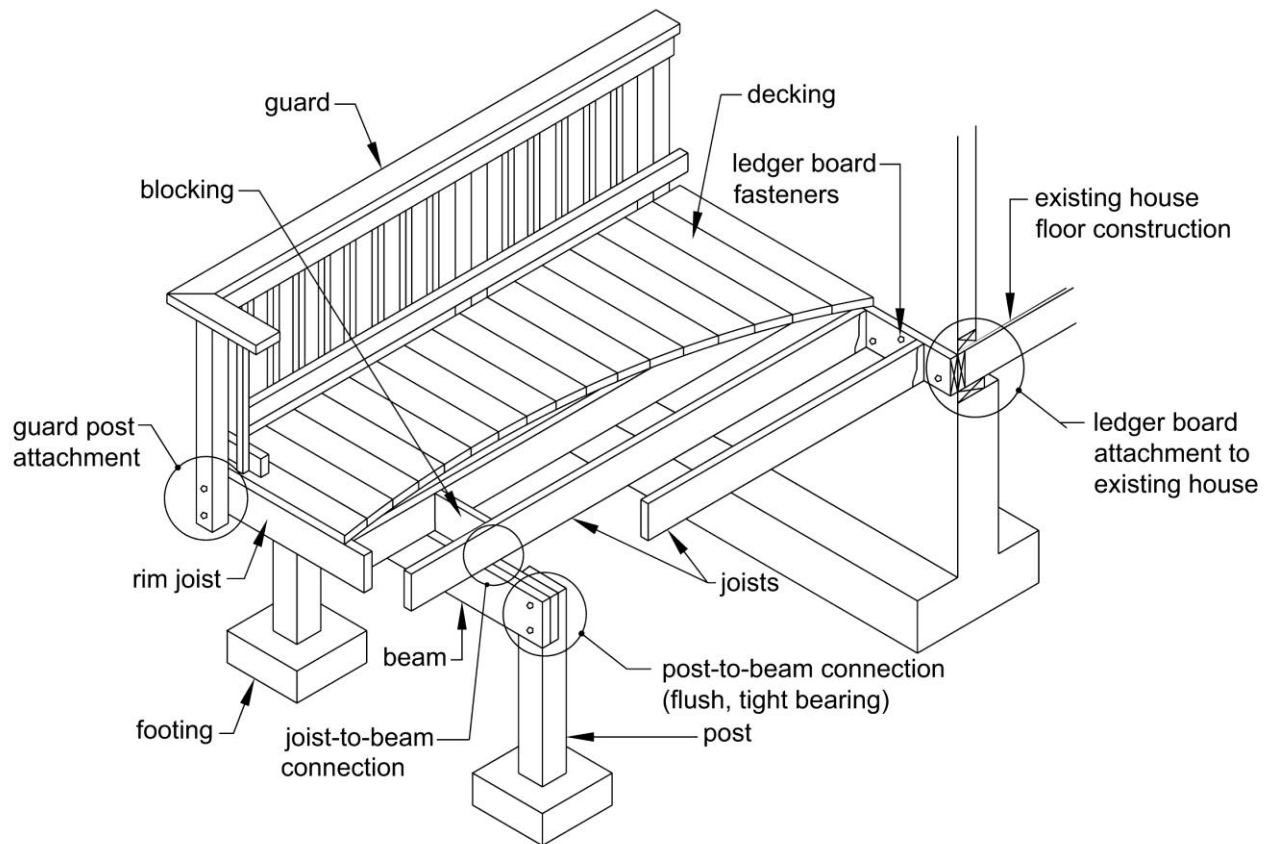


# Design for Code Acceptance



## Prescriptive Residential Wood Deck Construction Guide

Based on the 2012 International Residential Code



This document is subject to updates and revisions. To ensure that you always have the latest version of the document, follow this link to download a free copy of the most current *Prescriptive Residential Wood Deck Construction Guide*: <http://www.awc.org/Publications/DCA/DCA6/DCA6-12.pdf>.

For information about copyright permission and hyperlinks, follow this link: <http://www.awc.org/CopyrightDisclaimer.php>.

Additional questions: <http://www.awc.org/AWC/contact.php> or 202-463-2766.